



LIGHTKIWI

Modular Under Cabinet Lighting Plug-In Installation



Installers

- Read all instructions before installation.
- In order to assure safe use of Lightkiwi® modular under cabinet lighting, proceed according to the installation instruction.
- Lightkiwi® modular under cabinet lighting is not safe to use, unless it is completely installed according to the following instructions.

Caution: Always remember to turn-off the electric power when performing electric work

Overview

Fantastic lighting in your kitchen is simple solution for incredible makeover. Specially, if you are looking to upgrade your kitchen with reasonable spending, adding the lights would dramatically change the way your kitchen looks.

Lightkiwi® modular LED under cabinet lighting provides most **high quality, energy efficient and simple installation** possible.

With Lightkiwi® modular LED under cabinet lighting, you will enjoy how your kitchen appearance changes. No matter how your kitchen appearance was before.

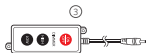
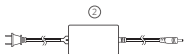
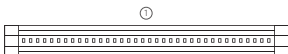
Notes

1. Each and every project is unique. These instructions are given as know approaches and general guidelines to installing our product. Your project may dictate an entirely different installation approach, which makes your installation unique. If you have questions regarding your installation please send an email to cs@lightkiwi.com or contact your local electrical contractor.
2. Keep the product away from extreme heat or cold, as well as any flammable items or damp places. Also avoid dropping, hitting or throwing the product.

Modular LED Under Cabinet Lighting Kit

generally contains

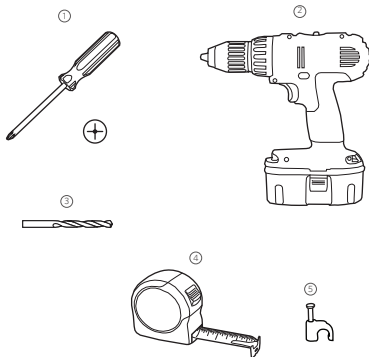
- ① Lightkiwi® Modular LED Under Cabinet Lighting Panel
- ② Power Supply
- ③ Dimmer Switch
- ④ 4-Way Splitter
- ⑤ Interconnect Cable
- ⑥ Modular Connector
- ⑦ Mounting Brackets with Screws (Standard);
Mounting Screws (Lilium)



Tools List

To mount Lightkiwi® Modular LED Under Cabinet Lighting Panel, you may need tools below (not included) to make installation easier.

- ① Phillips screwdriver (Required)
- ② Power Drill (Optional)
- ③ 1/16" Drill Bit (Optional)
- ④ Tape Measure (Optional)
- ⑤ Wire Clips or Cable Ties (Optional)

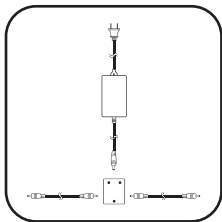


Before You Start

To prevent any hassle after the installation, we recommend to double check every items operate properly by testing them firstly without any mounting.

Step 1: Selecting a power supply location

- Determine where you would like to plug in your power supply.
- Locate the power supply in a location that is accessible in the unlikely event of servicing.
- You can have the transformer hooked up to a wall outlet that is switched or hard wire the transformer directly to a switched circuit as long as you leave access to the transformer per electrical code.
- If the power receptacle is middle of cabinets, you may use 4-way splitter to split the powers into opposite direction.



Please ensure the wattage of the combined units do not exceed the maximum wattage of the power supply used.

Step 2: Selecting a lighting location

- Lay the lights out, below their intended installation location. Determine how you want the light to fall.
- Position the lights to give the desired illumination on counter.
- For optimal lighting, the lights should be located toward the front of the cabinet.

Step 3: Install mounting brackets

1. Establish location for mounting brackets*.
2. Measure and mark location for pilot hole.
3. Drill 1/16th" hole. (Optional)
4. Mount mounting brackets.



*For Liliium LED light panel, pull the blue label to locate the mounting hole.



Double sided adhesive tape can be used alternative to mounting brackets.



For most of cases, mounting bracket can be installed using the screwdriver only. However, if you find it difficult, please pre-drill a small hole for screw.

Step 4: Mount LED light panel

Snap modular LED light panel into brackets.

Step 5: Connect interconnect cable

1. Connect interconnect cable between LED light panels to link all LED light panels together.
2. Use wire clips (not included) to “clean up” loose wires and hide under cabinet. (Optional)



Please skip Step 6 - 7 and 9 If you do not have or need a dimmer switch.

Step 6: Install dimmer switch

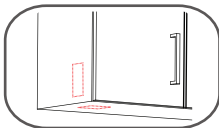
1. Connect dimmer switch between power supply and first LED light panels.
2. Use wire clips (not included) to “clean up” loose wires and hide under cabinet. (Optional)

Step 7: Mount dimmer switch

1. Establish location for dimmer switch
2. Measure and mark location for pilot hole.
3. Drill 1/16th" hole.
4. Mount dimmer switch



Recommended location of dimmer switch is side or under the cabinet.



Step 8: Install power supply

1. Plug power supply into wall receptacle.
2. Connect the other end into dimmer switch.

Step 9: Power up

1. Press On/Off button on dimmer switch to turn on the lights.
2. Press and hold the High or Low button to control the brightness as desired.

FAQ

1. Can I add additional LED light panel(s)?

Yes. But ensure the wattage of the combined units do not exceed the maximum wattage of the power supply used.

2. Can I combine 6 inch, 12 inch LED light panels, and LED puck lights together as one lighting system?

Yes. But ensure the wattage of the combined units do not exceed the maximum wattage of the power supply used.

3. How many LED light panels are needed for my cabinet?

It differs from person to person. Some people would be satisfied with one 12 inch LED light panel for 36 inch cabinet and some people would be satisfied with two 12 inch LED light panels for 36 inch cabinet. Usually, we recommend one 12 inch LED light panel for cabinet sized about 24 inches (60.96 cm).

4. Would a double sided tape work in lieu of mounting bracket with screws?

Yes, it would work fine since the unit is not heavy at all. But if the temperature of the surrounding environment is very high, adhesive may lose its adhesion. Heat resistant is required

FAQ

5. Is in line dimmer switch compatible with a wall on/off switch?

Yes, in line dimmer switch would remember its previous setting of power and brightness. Therefore, it is possible to use with a wall on/off switch to control the brightness with dimmer switch and control the power with wall on/off switch.

6. Can I use a wall dimmer switch?

If you plan to use a wall dimmer switch, you need to do the hardwire installation with dimmable transformer, instead of the included power supply which plugs into wall outlet, due to the voltage difference between the wall dimmer switch (110V) and LED light panel (24V).

7. How can I do hardwire /direct wire installation?

You would need to splice the power plug from the power cord and connect to the power source with a junction box or something similar. (Note: splicing the cable would void the warranty on unit spliced).

Warranty

Our company provides customers with warranty of... **36 MONTHS** from the date of purchase for LED light panel & power supply / **12 MONTHS** from the date of purchase for all other items.

Contact Us

For any inquiries or comments concerning our products, please send an email to cs@lightkiwi.com, and we will respond to you as soon as possible. If there is any quality-related issue with the product, you may request a REPLACEMENT OR REFUND by submitting a request form at www.lightkiwi.com or send an email to cs@lightkiwi.com.

Statement

- We're only able to provide after-sales service for purchases made directly from Lightkiwi. If you purchased through a different retailer, please contact them for any exchange or refund requests.
- Please note that unauthorized reselling of Lightkiwi products is prohibited.

Trademarks

All trademarks are the property of their respective owners.

©2015 Lightkiwi, LLC.

Lightkiwi is a registered trademark of Lightkiwi, LLC.

Copyright Information

No part of this manual, including the products described it in, may be reproduced, transmitted, transcribed, stored in a retrieval system or translate into any language in any form or by any means, except documentation kept by the purchaser . for backup purpose, without express written permission of Lightkiwi, LLC (“Lightkiwi”).

Order Information

Quantity sales. Special discounts are available on quantity purchases by corporations, associations, and others.

For details, please send an email to cs@lightkiwi.com.