

Dimmable Transformer

Hardwire Installation Guide

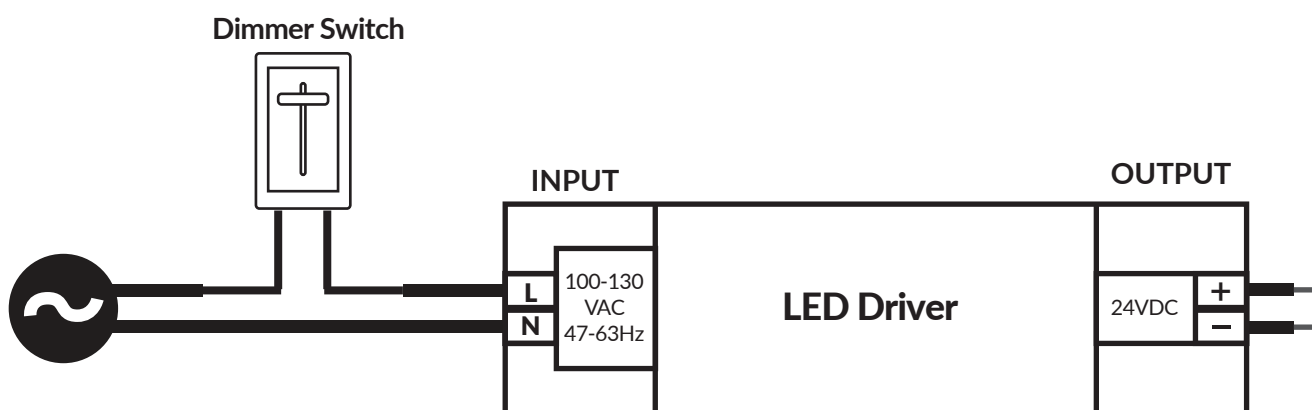
! BEFORE YOU BEGIN

- Read all instructions before installation.
- In order to assure safe use of Lightkiwi® modular under cabinet lighting, proceed according to the installation instruction.
- Lightkiwi® modular under cabinet lighting is not safe to use, unless it is completely installed according to the following instructions.
- To prevent any hassle after the installation, we recommend to double check every item operates properly by testing them without any mounting.

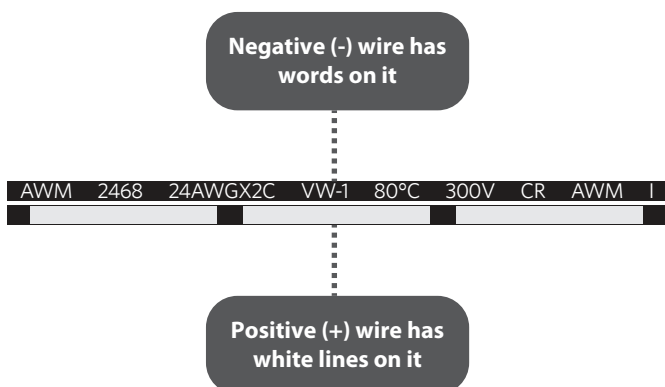
Caution: Always remember to turn-off the electric power when performing electric work

Notes

1. Each and every project is unique. These instructions are given as know approaches and general guidelines to installing the product. Your project may dictate an entirely different installation approach, which makes your installation unique. If you have questions regarding your installation please send an email to cs@lightkiwi.com or contact your local electrical contractor.
2. Keep the product away from extreme heat or cold, as well as any flammable items or damp places. Also avoid dropping, hitting or throwing the product.



How to Check Positive (+) and Negative (-) of Interconnect Cable



! In case there is no power from interconnect cable when connected, please re-wire the wire in opposite way to troubleshoot.

! Please ensure the wattage of the combined units do not exceed the maximum wattage of the power supply used.